





Aeromob Equipamentos Aeronáuticos Ltda

CNPJ: 40.061.679/0001-43

Address: 990 Carlos Willy Boehm St.

Costa e Silva - Joinville - SC

ZIP code: 89218-325

Phone number: +55 47 4101- 2724 | +55 47 9 9937- 9077

Visit our website www.aeromob-industry.com

Contact us for more information about spare parts and products.

INTRODUCTION

The Illustrated Parts Catalog (IPC) must be used to identify parts and component replacement request. The IPC should never be used as a component removal, installation and maintenance procedure. This catalog is used in conjunction with the Equipment Maintenance Manual (MM). The structure of chapters and details used in this IPC follow the applicable standards as Air Transport Association (ATA) SPEC 100 and iSPEC 2200.

The catalog features:

1. A list of chapters;
2. An isometric view of the equipment with emphasis on the set shown in the chapter;
3. An exploded view of each equipment set and its respective list of components;
4. The numbering of the pages is composed initially by the number of the chapter and followed by chapter page number.

PART DESIGNATION

AEROMOB parts are designated using the following code:

AM-HDM-135-S01

such that,

AM: AEROMOB

HDM: Represents the family of equipment

135: the equipment model

S01: represents the part-specific code.

On standard components purchased from third parties such as screws bearings, etc., the codes are varied, according to the necessary specification in each item. In some cases, manufacturers codes are also used.

AEROMOB special tools are designated with an "FM" prefix keeping then the identification code of the equipment to which it is applied.

INTRODUCTION

PARTS AVAILABILITY

"YES" indicates the part is available as a separate replacement item.

"NO" indicates that the part is no longer available or is only available as part of a set.

ABBREVIATIONS

BICR - Bichromated
CL - Class
DISP - Parts availability
SS - Stainless steel
HS - Hexagon socket
WS - Worm shaft
TS - Top Shaft

WARRANTY

AEROMOB applies the standard 1-year warranty on parts and components purchased from AEROMOB or an authorized dealer.

RETURNS

No unused parts may be returned to AEROMOB for credit if the parts show any indication of wear or damage, or if the cost of the individual part is less than \$25 (US). Parts returned within 30 days of purchase will be valued at a 20% restocking fee. no part may be returned after 30 days without AEROMOB's prior approval. Any parts approved for return after 30days will be evaluated at a fee 50% restocking fee.

INTRODUCTION

This document is copyrighted. The total or partial copy of the text, images or tables without the authorization of AEROMOB is expressly prohibited, subjecting the violator to the appropriate civil and criminal penalties.

REVISION

Revision Number	Data

To access the updated version of this document,
point your device at the QR CODE below.

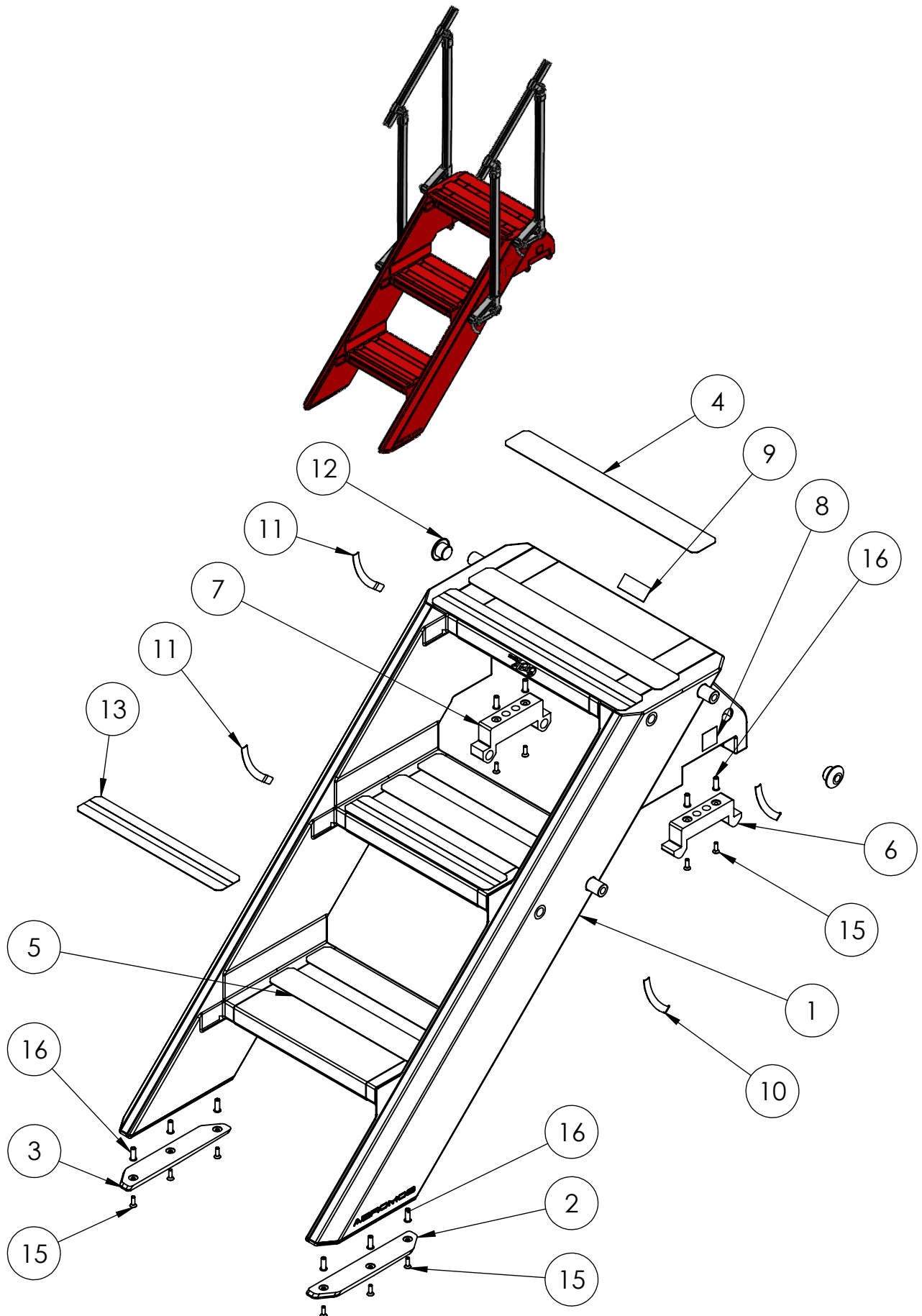


www.aeromob-industry.com/support-am-ldr-429-k04

SUMMARY

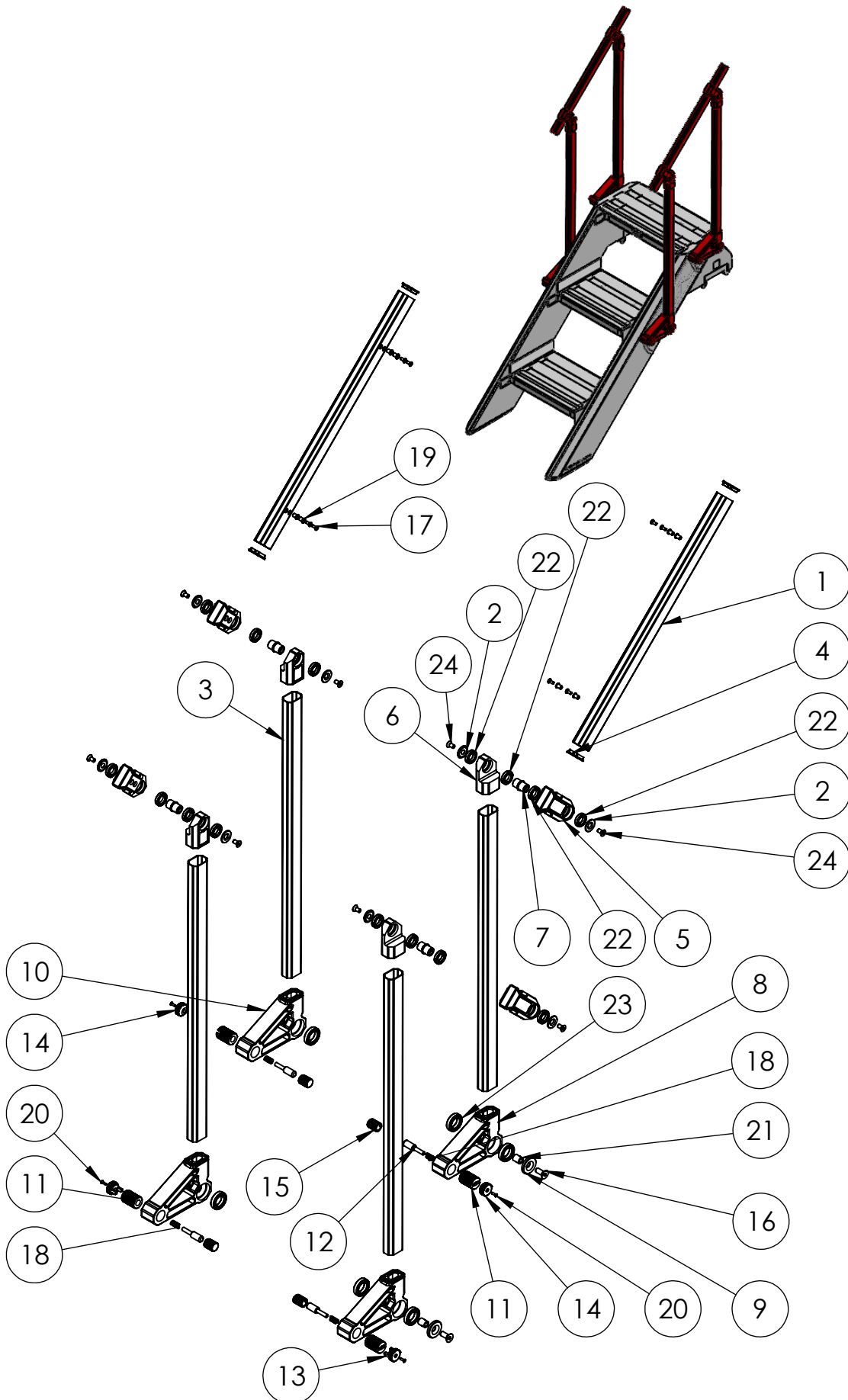
CHAPTER 1 - BODY.....	1-1
BILL OF MATERIALS	1-2
CHAPTER 2 - HANDRAIL	2-1
BILL OF MATERIALS	2-2

CHAPTER 1 - BODY



POS	ACTIVE PN	DESCRIPTION	QTY IN THIS DRAWING	QTY EQUIPMENT	OLD PN	APPLICABLE TO SN	AVAIL
1	AM-LDR-429-001	LADDER BODY	1	1	---	ALL	---
2	AM-LDR-429-010	LOWER RIGHT SUPPORT	1	1	---	ALL	---
3	AM-LDR-429-011	LOWER LEFT SUPPORT	1	1	---	ALL	---
4	AM-LDR-145-019	FITA ANTI-DERRAPANTE	2	2	---	ALL	---
5	AM-LDR-145-020	SMALL ANTI-SLIP TAPE	4	4	---	ALL	---
6	AM-LDR-429-023	LEFT UPPER SUPPORT	1	1	---	ALL	---
7	AM-LDR-429-024	TOP RIGHT SHOE	1	1	---	ALL	---
8	AM-LDR-429-028	QR CODE	1	1	---	ALL	---
9	AM-LDR-429-030	ID PLATE	1	1	---	ALL	---
10	AM-LDR-145-033	RH ANTI SCRATCH	2	2	---	ALL	---
11	AM-LDR-145-039	LH ANTI SCRATCH	2	2	---	ALL	---
12	AM-LDR-145-047	THREADED BUSHING	2	2	---	ALL	---
13	AM-LDR-145-050	SMALL REFLECTIVE ANTI-SLIP TAPE	2	2	---	ALL	---
14	AM-LDR-145-051	REFLECTIVE ANTI-SLIP TAPE	1	1	---	ALL	---
15	INOX DIN7991 M5X16	SS SCREW HEAD FLAT INT HEX M5X16	10	10	---	ALL	---
16	REBR M5X20	REBITE ROSCADO BICROMATIZADO M5 x 20	10	10	---	ALL	---

CHAPTER 2 - HANDRAIL



AEROLADDER 429

IPC-AM-LDR-429-K04

POS	ACTIVE PN	DESCRIPTION	QTY IN THIS DRAWING	QTY EQUIPMENT	OLD PN	APPLICABLE TO SN	AVAIL
1	AM-HDR-155-001	HANDRAIL BODY	2	2	---	ALL	---
2	AM-HDR-155-003	SPECIAL WASHER	8	8	---	ALL	---
3	AM-HDR-155-004	VERTICAL ROD	4	4	---	ALL	---
4	AM-HDR-155-006	END COVER	4	4	---	ALL	---
5	AM-HDR-155-008	HANDRAIL BODY SUPPORT	4	4	---	ALL	---
6	AM-HDR-155-009	HINGE SUPPORT	4	4	---	ALL	---
7	AM-HDR-155-019	BEARING SHAFT	4	4	---	ALL	---
8	AM-HDR-155-020	LH MAIN SUPPORT	2	2	---	ALL	---
9	AM-HDR-155-021	RETAINING WASHER	4	4	---	ALL	---
10	AM-HDR-155-023	RH MAIN SUPPORT	2	2	---	ALL	---
11	AM-HDR-155-024	GUIDE SCREW	4	4	---	ALL	---
12	AM-HDR-155-025	LOCK PIN	4	4	---	ALL	---
13	AM-HDR-155-026	LOCK BUTTON	2	2	---	ALL	---
14	AM-HDR-155-027	KNOB	2	2	---	ALL	---
15	AM-LDR-145-032	THREADED BUSHING M16	4	4	---	ALL	---
16	INOX DIN7991 M8X20	SS - HS COUNTERSUNK HC SCREW M8 X 20	4	4	---	ALL	---
17	INOX DIN7991 M4X10	SS - HS COUNTERSUNK HC SCREW M4X10	8	8	---	ALL	---
18	MC 0,8X6,3X8X30	COMPRESSION SPRING 0,8X6,3X8X30	4	4	---	ALL	---
19	REBR M4X10	RIVET NUT M4X10	8	8	---	ALL	---
20	INOX DIN7991 M3X10	SS - HS COUNTERSUNK HC SCREW M3 x 10	4	4	---	ALL	---
21	RP-M8xM12x15	THREADED INSERT M8xM12x15	4	4	---	ALL	---
22	ROL 61802-2RS1	BEARING	16	16	---	ALL	---
23	ROL 61804-2RS1	BEARING	8	8	---	ALL	---
24	DIN7991 M6X12	SS SCREW FLAT HEAD HEX INT M6 x 12	8	8	---	ALL	---