

AEROMOB

MAINTENANCE MANUAL

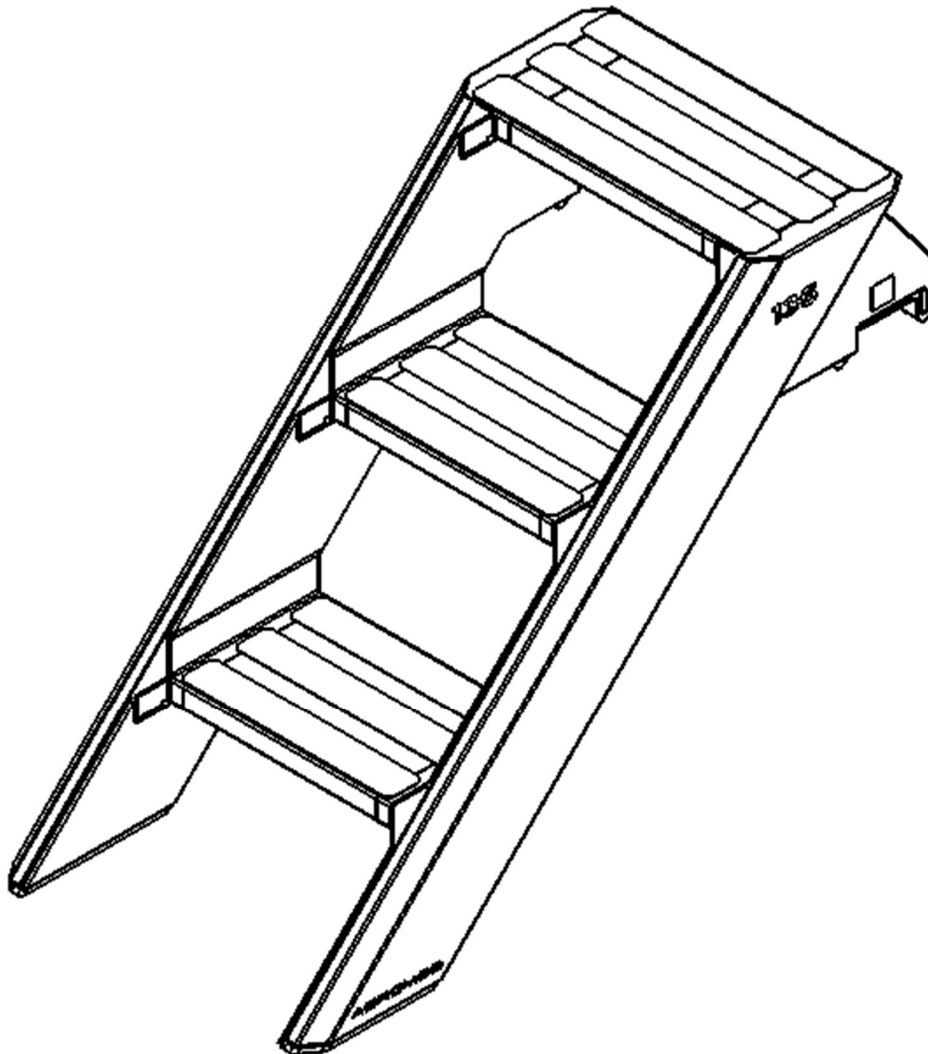
AEROLADDER 135

MM AM-LDR-135-K01/3-1

MAINTENANCE MANUAL

AEROLADDER 135

PN: AM-LDR-135-K01



Aeromob Aeronautical Equipment

CNPJ: 40.061.679/0001-43

Address: Carlos Willy Boehm Street, 990 - Costa e Silva

ZIP CODE: 89218-325 - Joinville - SC

Phone: +55 (47) 4101-2724 | 9 9937-9077

Website: www.aeromob-industry.com

This document is protected by copyright. Total or partial copying of the text, images or tables without authorization from AEROMOB is expressly prohibited, subjecting the offender to applicable civil and criminal proceedings, without prejudice to financial liability for losses and damages caused.

RESIVION

Revision Number	Date

To access the updated version of this document, point your device at the QR CODE below.



www.aeromob-industry.com/support-am-ldr-135-k01

INTRODUCTION

This Maintenance Manual must be used in conjunction with the IPC (Illustrated Parts Catalog) part number **IPC AM-LDR-135-K01**, to maintain the equipment in perfect conditions of use, providing safety and quality in the application.

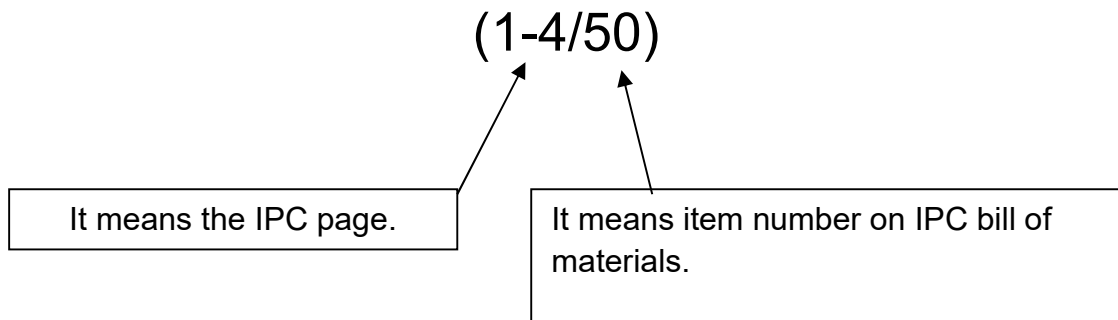
The procedures determined in this document aim to ensure the correct execution of maintenance actions applicable to this equipment, to guarantee the safety and efficiency of maintenance and operation of the equipment.

Keeping maintenance up to date will prevent accidents and prevent the product from being stopped due to failures. Cleaning, lubrication, and inspections are basic conditions for proper operation.

**NOTE: For maintenance actions not recommended in this document, do not run without prior Aeromob support for more information:
www.aeromob-industry.com/support-am-ldr-135-K01.**

LIST OF ABBREVIATIONS

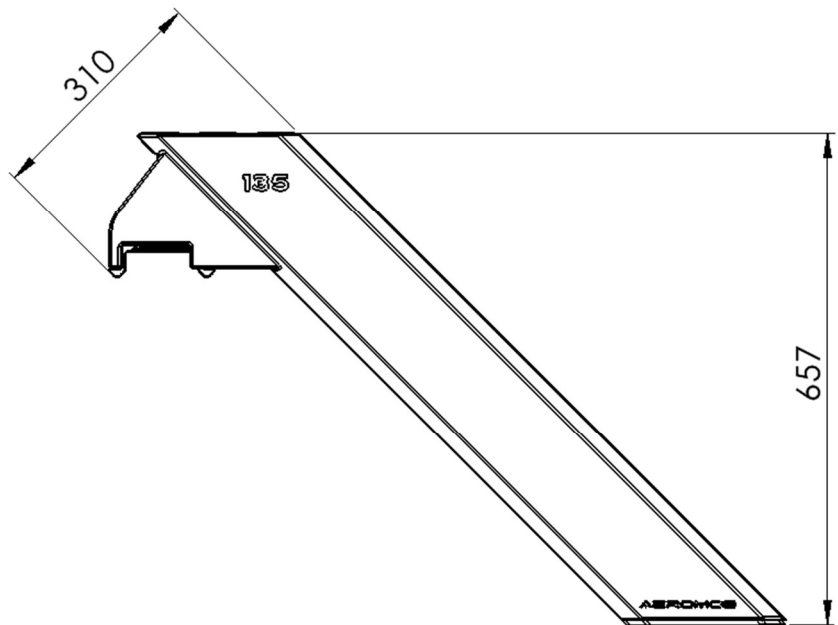
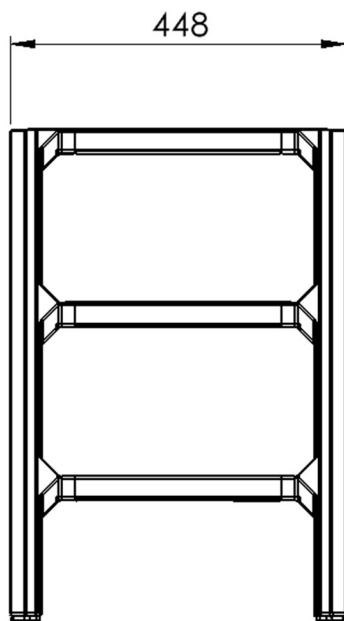
Throughout the manual you will find references such as:



BASIC EQUIPMENT DIMENSIONS

This equipment has the following dimensions:

Weight: 2,8 Kg



SUMMARY

INSPECTIONS CHECKLIST	01
SUBPART 03 – ROUTINE MAINTENANCE (CLEANING and STORAGE)	02
Equipment Cleaning MM AM-LDR-135-K01/3-1	03
Storage MM AM-LDR-135-K01/3-2	04
SUBPART 04 – DISASSEMBLY AND ASSEMBLY	05
Disassembly / Assembly – Separation of Components MM AM-LDR-135-K01/4-0	06
SUBPART 05 – TESTING AND CALIBRATION	00
No items applicable to this equipment	00
SUBPART 06 – INSPECTIONS	08
Wear Check MM AM-LDR-135-K01/6-0	09
TROUBLESHOOTING.....	00
No items applicable to this equipment	00

INSPECTIONS LIST

DESCRIPTION	CODE	FREQUENCY
Wear Check	MM AM-LDR-135-K01/6-0	10 years / 5000 cycles

The other components are ON-CONDITION and must be in perfect condition. Only the use of equipment is permitted if the set is complete and in perfect working order. It is expressly prohibited and dangerous to use the equipment with any part, information plate or component missing. If it is necessary to replace any item or component, contact Aeromob. The equipment must contain all items declared in the IPC so that the equipment is fit and safe for operation.

Keeping the equipment clean, in addition to making it more beautiful, is very important for your safety. Dirt can hide abnormalities that could potentially cause failure. During cleaning, it is necessary to check for the presence of cracks, gaps, deformations, noise, misalignment and any other wear or irregular characteristics.

SUBPART 03

ROUTINE PROCEDURES

Equipment Cleaning

MM AM-LDR-135-K01/3-1

A. Applicable documents

N/A

B. Specials Tools

N/A

C. Materials

- a. Alcohol e clean cotton waste.

D. Routine Spare Parts

N/A

E. Work Setup

- a. Put the equipment in a clean environment with good lighting.

F. Cleaning Procedure

- a. Apply the cotton waste with alcohol to all parts of the ladder to remove dirt.

Storage

MM AM-LDR-135-K01/3-2

A. Applicable documents

N/A

B. Specials Tools

N/A

C. Materials

N/A

D. Routine Spare Parts

N/A

E. Work Setup

N/A

F. Procedure

- a. Placing the Ladder inside the Luggage Rack, in the space between the luggage and the door.

AEROMOB

MAINTENANCE MANUAL

AEROLADDER 135

MM AM-LDR-135-K01/4-0

SUBPART 04

DISASSEMBLY AND ASSEMBLY

Disassembly / Assembly – SEPARATION OF COMPONENTS

MM AM-LDR-135-K01/4-0

A. Applicable Documents

- a. IPC AM-LDR-135-K01.

B. Specials Tools

N/A

C. Materials

N/A

D. Routine Spare Parts

N/A

E. Work Setup

- a. Place the equipment on a clean, lined or protected worktop.

F. Disassembly procedure

- a. Loosen Shoes Screws (1-1/7), and remove (1-1/4), (1-1/5) and (1-1/9).

G. Assembly procedure

- a. Replace the Shoes (1-1/4), (1-1/5) e (1-1/9).
- b. Tighten the screws (1-1/7) leaving the Shoes firm.

AEROMOB

MAINTENANCE MANUAL

AEROLADDER 135

MM AM-LDR-135-K01/6-0

SUBPART 06
INSPECTIONS

WEAR CHECK

MM AM-LDR-135-K01/6-0

A. Applicable Documents

- a. IPC AM-LDR-135-K01.

B. Specials Tools

N/A

C. Materials

N/A

D. Routine Spare Parts

N/A

E. Work Setup

- a. Execution of clear conform card MM AM-LDR-135-K01/3-1.
- b. Put the equipment in a clean environment with good lighting.

F. Check procedure

- a. Check the wear and deformation of the Bottom Shoe. Consider minimum wear thickness as 3mm. There are no wear considerations for the Upper Support Shoe.