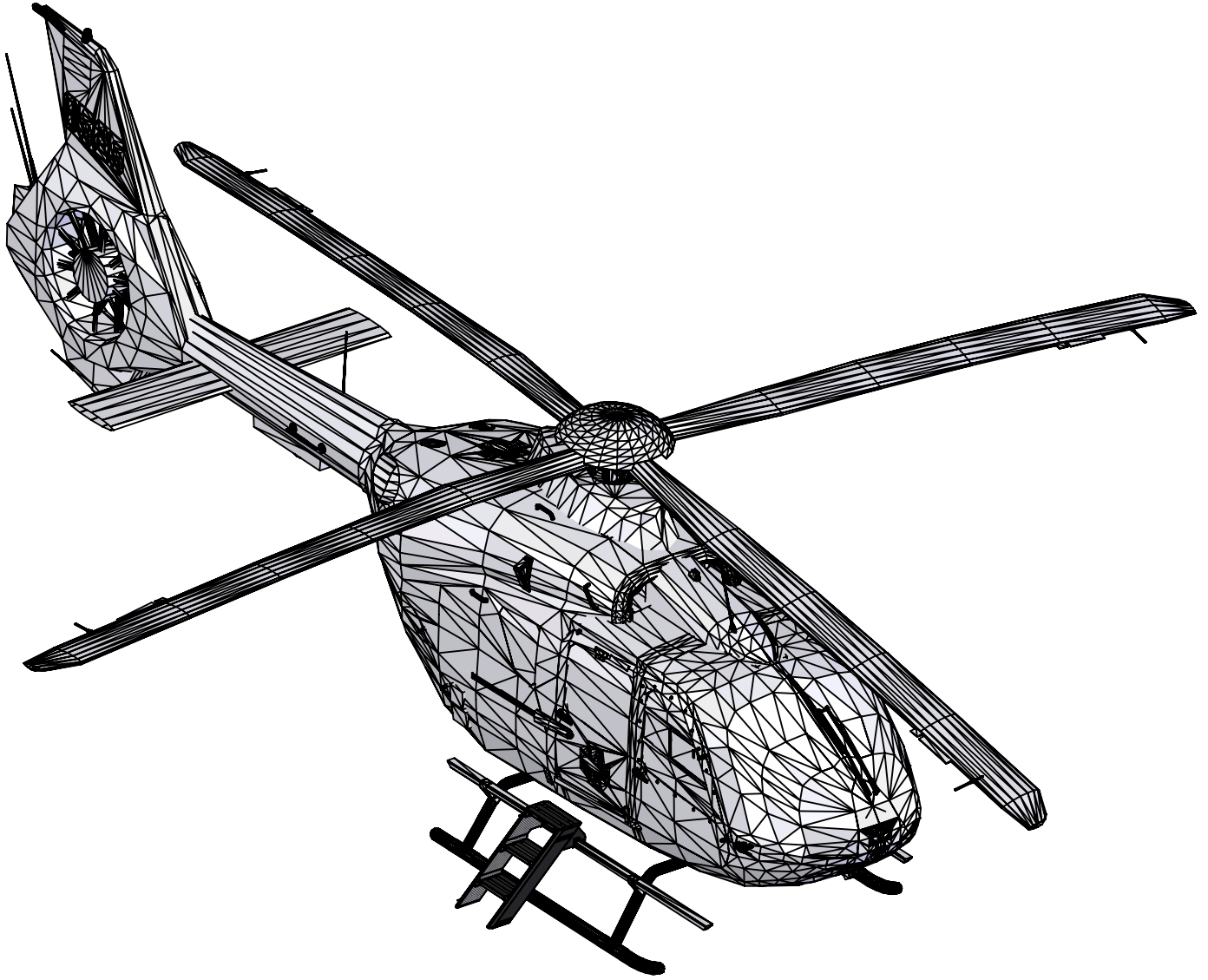


AEROMOB

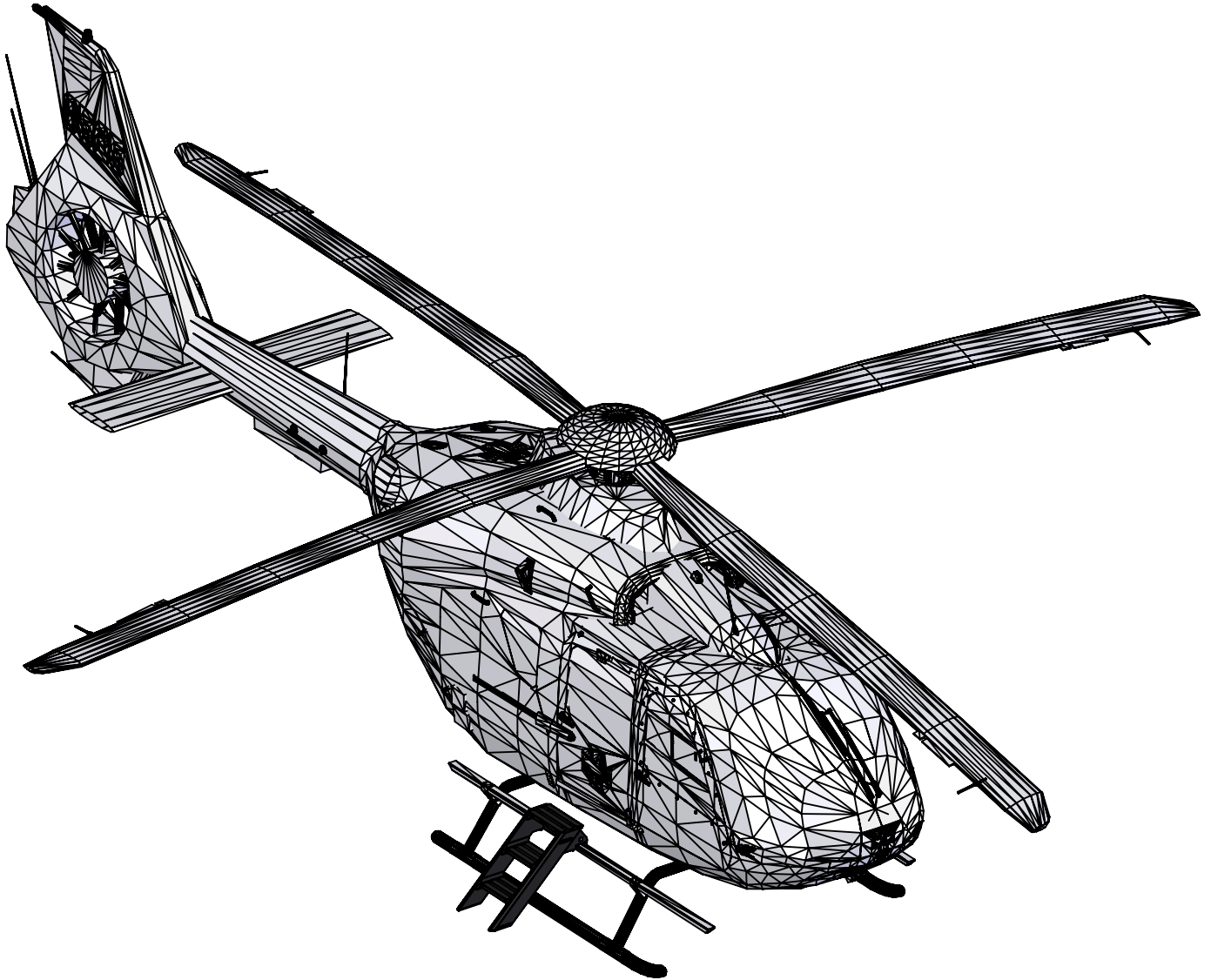
ILLUSTRATED PARTS CATALOGUE



EQUIPMENT NAME: AEROLADDER 135
PART NUMBER: AM-LDR-135-K01

AEROMOB

ILLUSTRATED PARTS CATALOGUE



Aeromob Aeronautical Equipment Ltda

CNPJ: 40.061.679/0001-43

Address: Carlos Willy Boehm 990 Street - Costa e Silva

Postcode: 89218-325 / Joinville - SC

Phone: +55 (47) 4101-2724 | 9 9937-9077

Site: www.aeromobusa.com

Contact Aeromob for more information on
parts and products.

INTRODUCTION

The Illustrated Parts Catalog (IPC) must be used to identify parts and component replacement request. The IPC should never be used as a component removal, installation and maintenance procedure. This catalog is used in conjunction with the Equipment Maintenance Manual (MM). The structure of chapters and details used in this IPC follow the applicable standards as Air Transport Association (ATA) SPEC 100 and iSPEC 2200.

The catalog features:

1. A list of chapters;
2. An isometric view of the equipment with emphasis on the set shown in the chapter;
3. An exploded view of each equipment set and its respective list of components;
4. The numbering of the pages is composed initially by the number of the chapter and followed by chapter page number.

PART DESIGNATION

AEROMOB parts are designated using the following code:

AM-HDM-135-S01

such that,

AM: AEROMOB

HDM: Represents the family of equipment

135: the equipment model

S01: represents the part-specific code.

On standard components purchased from third parties such as screws bearings, etc., the codes are varied, according to the necessary specification in each item. In some cases, manufacturers codes are also used.

AEROMOB special tools are designated with an "FM" prefix keeping then the identification code of the equipment to which it is applied.

AEROMOB

INTRODUCTION

PARTS AVAILABILITY

"YES" indicates the part is available as a separate replacement item.

"NO" indicates that the part is no longer available or is only available as part of a set.

ABBREVIATIONS

BICROM - Bichromated

CL - Class

DISP - Parts availability

SS - Stainless steel

HS - Hexagon socket

WS - Worm shaft

TS - Top Shaft

GUARANTEE

AEROMOB applies the standard 1-year warranty on parts and components purchased from AEROMOB or an authorized dealer.

RETURNS

No unused parts may be returned to AEROMOB for credit if the parts show any indication of wear or damage, or if the cost of the individual part is less than \$25 (US). Parts returned within 30 days of purchase will be valued at a 20% restocking fee. no part may be returned after 30 days without AEROMOB's prior approval. Any parts approved for return after 30 days will be evaluated at a fee 50% restocking fee.

AEROMOB

INTRODUCTION

This document is copyrighted. The total or partial copy of the text, images or tables without the authorization of AEROMOB is expressly prohibited, subjecting the violator to the appropriate civil and criminal penalties.

AEROMOB

REVISION

Revision Number	Date

To access the updated version of this document, point your device at the QR CODE below.

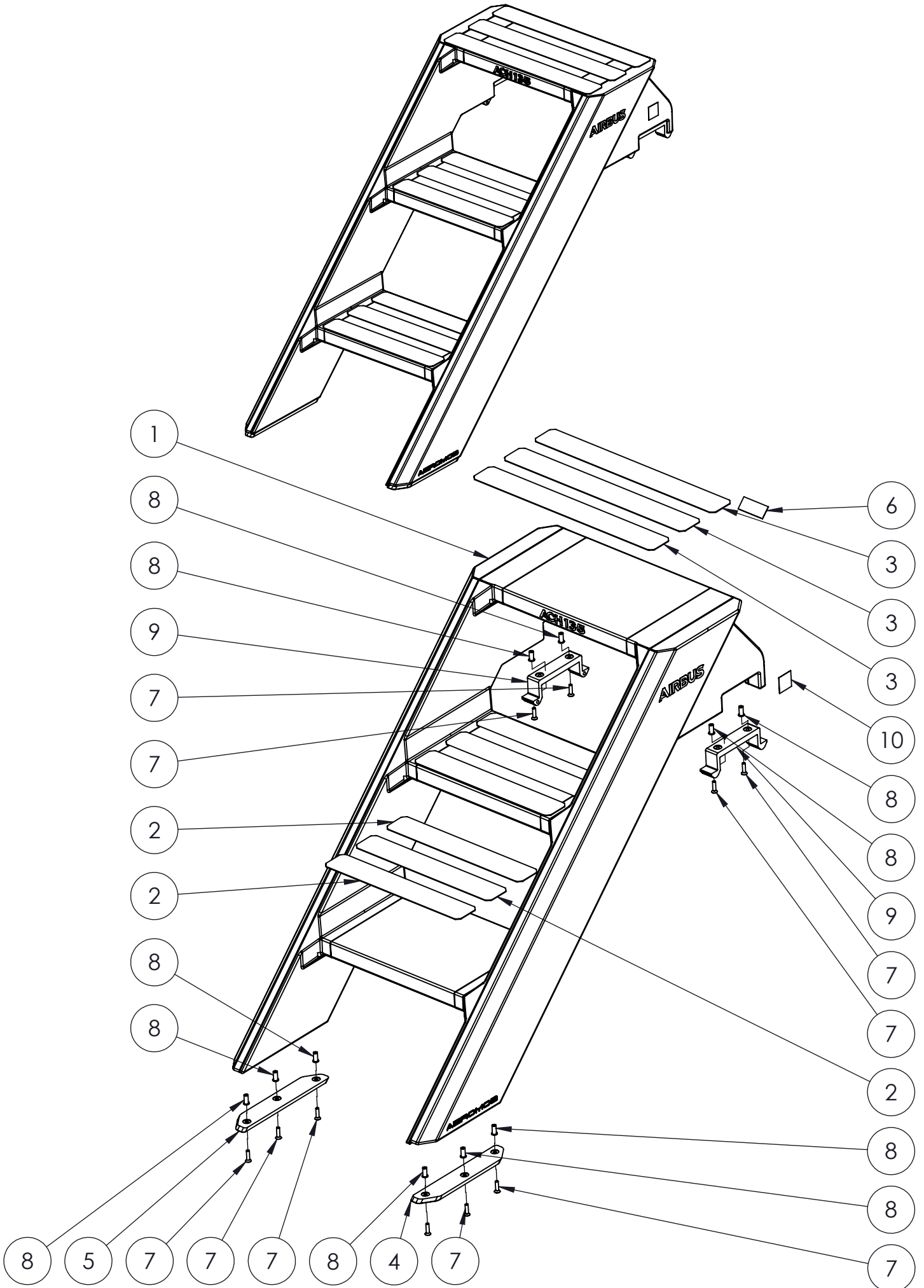


www.aeromob.com.br/support-am-ldr-135-k01

SUMMARY

CHAPTER 1 - LADDER	1-1
COMPONENTS LIST	1-2

CHAPTER 1 - LADDER



AEROMOB

POS	ACTIVE PN	DESCRIPTION	QTY IN THIS DRAWING	TOTAL QUANTITY EQUIPMENT	OLD PN	APPLICABLE TO SN	AVAIL
1	AEROLADDER 135_M02	AEROLADDER 135	1	1	---	ALL	---
2	AM-LDR-135-007	ANTI-SLIP TAPE	6	6	---	ALL	---
3	AM-LDR-135-010	ANTI-SLIP TAPE	3	3	---	ALL	---
4	AM-LDR-135-011	BOTTOM RIGHT SHOE	1	1	AEROLADDER 135_11	ALL	---
5	AM-LDR-135-012	BOTTOM LEFT SHOE	1	1	AEROLADDER 135_12	ALL	---
6	AEROLADDER 135-18	IDENTIFICATION PLATE	1	1	---	ALL	---
7	DIN 7991 - M5 X 20	ALLEN SCREW FLAT HEAD M5X20	11	12	---	ALL	---
8	REBR M5X16	THREADED RIVET M5X16	10	10	RM5P55S	ALL	---
9	AM-LDR-135-009	TOP SHOE	2	2	AEROLADDER 135_09	ALL	---
10	AM-LDR-135-023	QR CODE	1	1	---	ALL	---