

USE AND MAINTENANCE INSTRUCTIONS

EQUIPMENT MANUFACTURER: AEROMOB HELICOPTER PARTS INDUSTRY


EQUIPMENT NAME: HARDMOB 407

EQUIPMENT DESCRIPTION: MECHANICAL GROUND HANDLING WHEELS SET, WITH **FORCE MULTIPLIER SYSTEM®** patented by AEROMOB.

EQUIPMENT PART NUMBER: AM-HDM-407-K01


PART NUMBER: AM-HDM-407-K01

5




FLIGHT MANUAL SUPPLEMENT

6



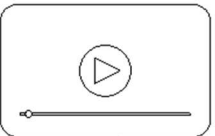
AEROMOB
ILLUSTRATED PARTS CATALOGUE


7



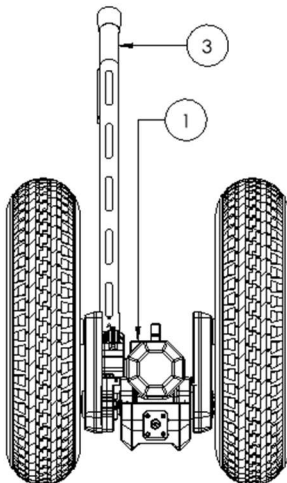
MAINTENANCE MANUAL

4



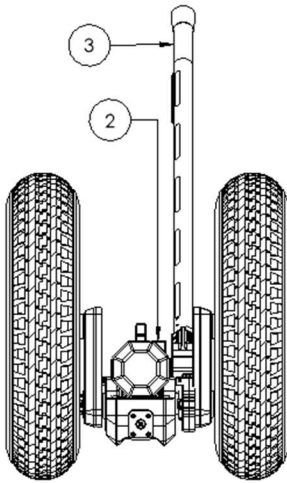


3



1

3



2

ITEMS OF THE PART NUMBER: AM-HDM-407-K01

ITEM NUMBER	DESCRIPTION	PART NUMBER	QTY
1	LEFT GROUND HANDLING WHEELS	AM-HDM-407-MT1	1
2	RIGHT GROUND HANDLING WHEELS	AM-HDM-407-MT2	1
3	LEVER BAR	AM-HDM-407-M04	2
4	MANUAL VIDEO (MP4)	UVM-AM-HDM-407-K01	1
5	FLIGHT MANUAL SUPPLEMENT - FMS	FMS-AM-HDM-407-K01	1
6	ILLUSTRATED PARTS CATALOGUE - IPC	IPC-AM-HDM-407-K01	1
7	MAINTENANCE MANUAL - MM	MM-AM-HDM-407-K01	1

APPROVED USE: The HARDMOB 407 equipment has the function of suspending the aircraft from the ground and enabling the movement of the landed helicopter. The HARDMOB 407 is approved for use on Bell 407 model helicopters in all versions. The use of this equipment in other helicopter models or for functions not approved in the manual is expressly prohibited.

WARNING: It is mandatory to read this FMS – FLIGHT MANUAL SUPPLEMENT and to have watched the VIDEO USER MANUAL completely before operating this equipment. If you have any questions, contact Aeromob technical support.

To access the **VIDEO USER MANUAL** with the instructions for using the equipment and to access the **MAINTENANCE MANUAL**, access the link through the QR CODE below.

www.aeromob.com.br/support-am-hdm-407-k01

LIMITATIONS: Tires must be inflated to 74 psi (5.1 bar). It is mandatory that all 4 tires are calibrated before using the equipment. If there is a variation in the ambient temperature of more than 10°C from the day of calibration until the time of use of the equipment, the tires must be recalibrated before use.

Note: Calibration outside of specification can lead to risk of personal injury and/or equipment damage!

A minimum of 2 people is required to leverage and lift the aircraft, with one person responsible for leverage and another to hold the helicopter's tail in case the tail tends to lower. The tendency to lower the tail will depend on the level of the surface in use, as well as the position of the aircraft's Center of Gravity, which will vary depending on the amount of fuel supplied in the aircraft and the basic empty CG of your helicopter. To move the aircraft with human strength, at least 3 people are needed, one person to hold the helicopter by the tail and two others to push the aircraft.

It is prohibited to use the equipment with people or luggage inside the aircraft. The set has a load capacity of 2,800 kg distributed in PAR of double wheelsets.

As for the type of surface approved, the HELIMOB can be used on paved floors, firm grass or firm beaten ground, with the installation of equipment and movement of the aircraft on soil with up to 5% inclination being allowed. It is not recommended to use it on irregular terrain that causes shaking, as this could pose a risk of damage to the aircraft.

Rolling is limited to walking speed when moved by human power and up to 6 km/h when the aircraft is being towed by a motor vehicle. To tow the helicopter with a motor vehicle, it is recommended to use the CARTMOB UNIVERSAL (The Aeromob original towing fork, part number: AM-CRT-K01 or AM-CRT-K02).

The use of the equipment is only allowed if the set is complete and in perfect working order. It is expressly prohibited and dangerous to use the equipment with any part, information plate or component missing. If it is necessary to replace any item or component, contact the manufacturer.

It is expressly prohibited and dangerous to use the equipment with any part or component that is not part of this set and/or that has not been supplied by the manufacturer.

REQUIRED MAINTENANCE: The revision plan and any necessary maintenance procedure must be carried out in accordance with the equipment maintenance manual (MM-AM-HDM-407-K01) to be accessed in the QR CODE available in this FMS.

WARRANTY: Your equipment has a 1 (year) warranty and, if necessary, it can be requested directly from AEROMOB through the link: www.aeromob.com.br/support-am-hdm-407-k01.

INTENTIONALLY BLANK