

EQUIPMENT MANUFACTURER:

Aeromob Equipamentos Aeronáuticos LTDA
Rua Carlos Willy Boehm, 990
89218-325
Costa e Silva
Joinville/SC – Brazil
www.aeromob-industry.com

EU AUTHORIZED REPRESENTATIVE:

Obelis S.A
Boulevard Général Wahis 53, B-1030
Brussels, Belgium
Tel: 32 (0) 2 732 5954
Fax: 32 (0) 2 732 60 03

ORIGINAL INSTRUCTIONS

EQUIPMENT NAME:

AEROLADDER 130

MODEL:

K01

MACHINERY DESIGNATION:

CARBON FIBER LADDER

EQUIPMENT PART NUMBER:

AM-LDR-130-K01

INTENTIONALLY LEFT BLANK

Written by Date: MATEUS FREITAS 27/MAY/2025	Approved by Date: PHIL XAVIER 27/MAY/2025
Updated by Date:	Approved by Date:

1 INTRODUCTION

The equipment you are receiving was developed under the most advanced engineering concept. Congratulations on your operational choice!

This manual contains instructions and approved operating procedures for using the AEROLADDER 130.

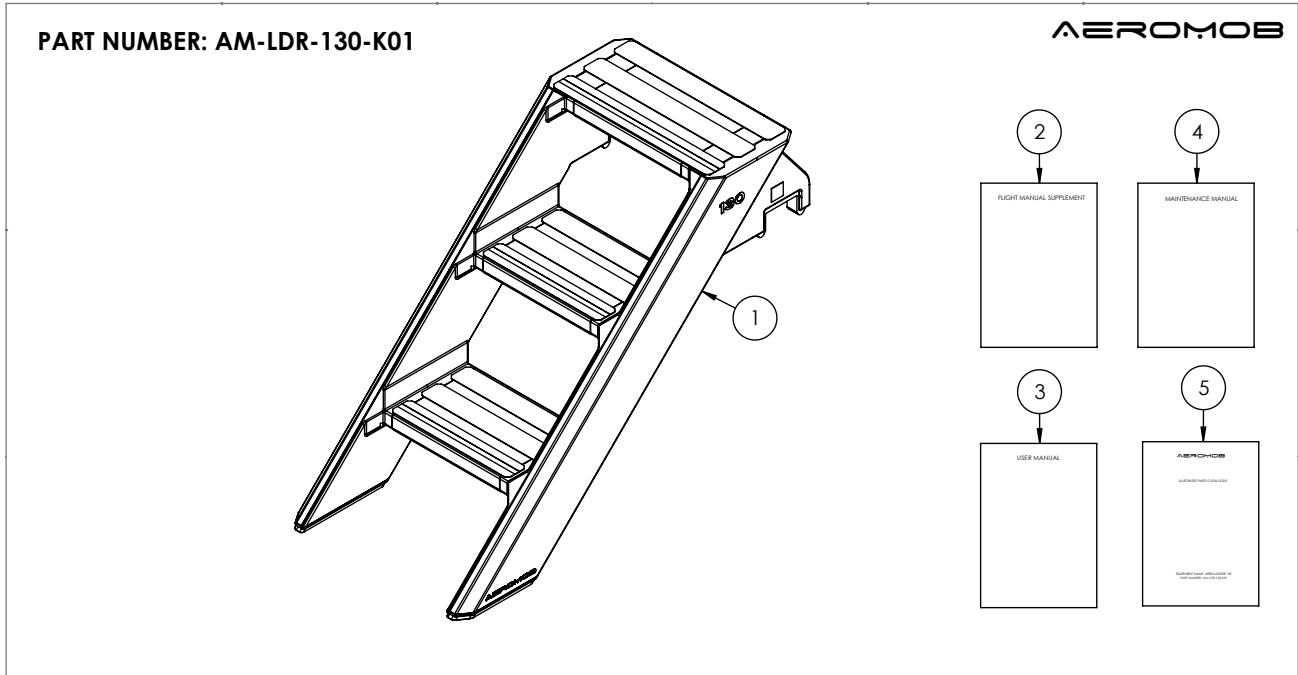
This User Manual is a mandatory read by anyone wishing to operate the equipment, assuring quality and safety in the operation.

In addition to this User Manual, your equipment is accompanied by the following documents: Flight Manual Supplement (FMS), Maintenance Manual (MM) and Illustrated Parts Catalog (IPC). For more information on these documents, as well as on Warranty and Support, see chapters 9 and 10 of this manual.

INTENTIONALLY LEFT BLANK

Written by Date: MATEUS FREITAS 27/MAY/2025	Approved by Date: PHIL XAVIER 27/MAY/2025
Updated by Date:	Approved by Date:

2 GENERAL INFORMATION



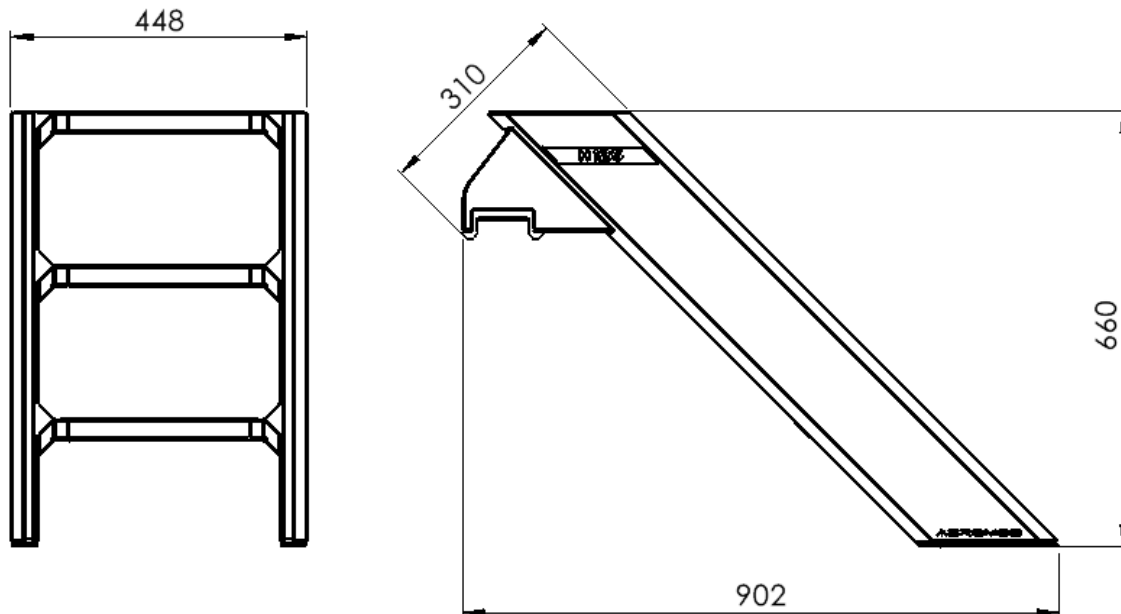
ITEMS OF PART NUMBER: AM-LDR-130-K01

ITEM NUMBER	DESCRIPTION	PART NUMBER	QTY
1	AEROLADDER 130	AM-LDR-130-M01	1
2	FLIGHT MANUAL SUPPLEMENT	FMS-AM-LDR-130-K01	1
3	USER MANUAL	UM-AM-LDR-130-K01	1
4	MAINTENANCE MANUAL	MM-AM-LDR-130-K01	1
5	ILLUSTRATED PARTS CATALOGUE	IPC-AM-LDR-130-K01	1

INTENTIONALLY LEFT BLANK

Written by Date: MATEUS FREITAS 27/MAY/2025	Approved by Date: PHIL XAVIER 27/MAY/2025
Updated by Date:	Approved by Date:

- Mono-block construction in flame-retardant carbon fibre.
- Total ladder weight: 6lb / 2.8kg



3 APPROVED USE

The AEROLADDER 130 equipment has the function of an accessibility ladder for boarding and disembarking passengers and is approved for use on Airbus H130 with fixed skid. Any of the approved versions and models are also compatible with said skis with emergency floats installed.

The AEROLADDER 130 is a highly important equipment for Helicopters with Floats, as it protects the floats against daily knocks when used as boarding and disembarking steps by passengers, which creates a high risk of hidden damage to the safety buoyancy system.

The equipment is approved for passengers up to 287lb / 130kg, with the maximum of 1 (one) passenger at a time and for the exclusive use of boarding and disembarking the aircraft.

The use of this equipment in other helicopter models or for functions not approved in this manual is prohibited. Consult the manufacturer in advance before using operating the equipment on helicopter models (more contact information in chapter 9).

4 LIMITATIONS

- The equipment is approved for embark and disembark of passengers weighing up to **287lb/130kg**, with a maximum of **1 (one) passenger** at a time. The ladder is intended for

Written by Date: MATEUS FREITAS 27/MAY/2025	Approved by Date: PHIL XAVIER 27/MAY/2025
Updated by Date:	Approved by Date:

exclusive use for boarding and disembarking the aircraft at walking speed and **IS NOT INTENDED FOR JUMPS OR IMPACT.**

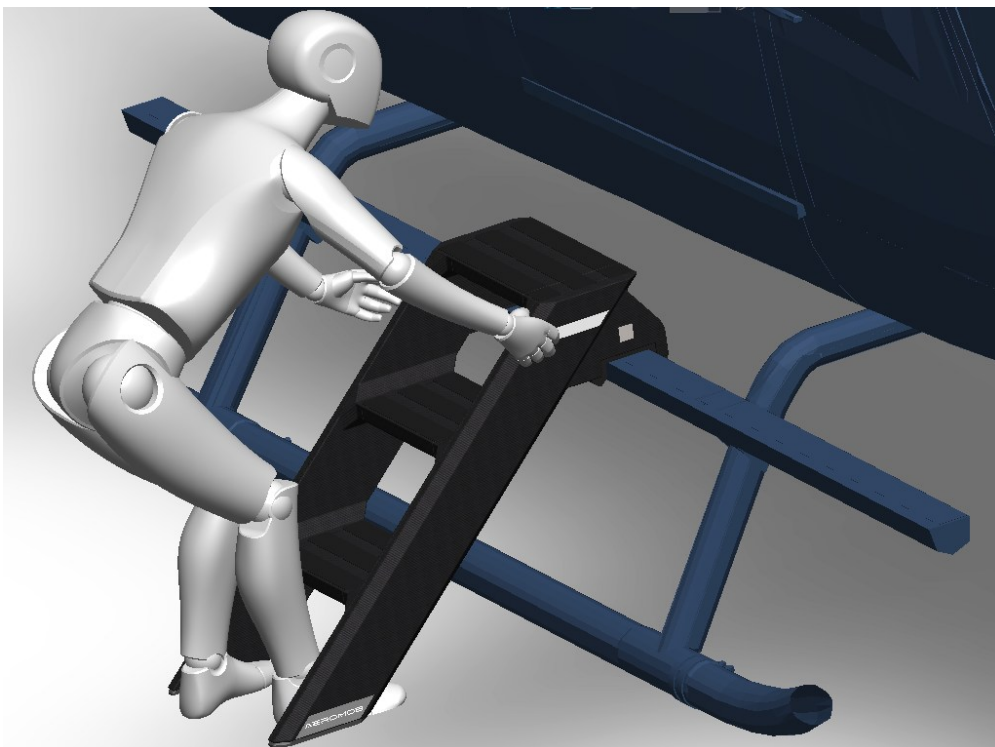
- The AEROLADDER 130 can be used on paved floors, firm grass or firm hard ground, with installation of the equipment on the aircraft permitted on soils with up to a 5% slope, as long as the lower side rails are fully engaged with the ground. Use on uneven ground that leaves the ladder poorly supported is **prohibited** and **dangerous**.
- The use of equipment is safe only if the set is complete and in perfect working order. It is expressly prohibited and dangerous to use the equipment with any part or component missing or using a component that is not part of this set and/or that has not been supplied by the manufacturer. If it is necessary to replace an item or component, consult the Illustrated Parts Catalog - IPC through the link: www.aeromob-industry.com/support-am-ldr-130-k01, or by scanning the QR CODE at the end of this document.

INTENTIONALLY LEFT BLANK

Written by Date: MATEUS FREITAS 27/MAY/2025	Approved by Date: PHIL XAVIER 27/MAY/2025
Updated by Date:	Approved by Date:

5 INSTRUCTIONS FOR USE

Before using the AEROLADDER 130 for embark and disembark, make a visual inspection of the ladder to make sure there is no damage to its structure. While holding the side rail, carefully attach the upper shoe of the equipment to the upper landing skid/footstep while holding the ladder, as shown below. Make sure the ladder is **completely fitted** into the aircraft **footstep (skid)**, aligned with the **passenger exit path (not with the passenger seat)**. Make sure there are **no objects on the treads, nor obstructions to the ladder's base**, so that the lower side rail is fully in contact with the ground.



Embark or disembark along the ladder's specified path and avoid forcing the equipment in a lateral motion, perpendicular to the side rails, to ensure safety and avoid sliding.

Be aware of the location, height and distance between the ground and the treads, between the treads, and also between the top of the ladder and the aircraft.

Should the embark or disembark take place while the **rotor is active**, the pilot **must** notify this fact **in advance** (before embarking or disembarking) to the passengers and provide proper instructions for safe embark or disembark.

Make sure a healthy and capable person stands beside the ladder to provide assistance and support in case the embarking or disembarking passenger is a child, carrying a baby/small child, has reduced

Written by Date: MATEUS FREITAS 27/MAY/2025	Approved by Date: PHIL XAVIER 27/MAY/2025
Updated by Date:	Approved by Date:

mobility, has a history of labyrinthitis, vertigo, similar health condition or in any other case where aid may be needed.

In case further balancing support is needed while going up or down the stairs, hold on to the helicopter's handgrips or other firm unmovable surfaces, or have another person besides the ladder to assist.

Detach and store the ladder right after use, and do not leave it attached to the aircraft while not in use, during take-off, or if there are other aircrafts taking off/landing near it. Only install the ladder on the aircraft right before the boarding and disembarking operation, and after use always detach or store the ladder. Strong wind or gust, typical of take-off and landing of nearby aircrafts, might move the ladder out of position in a dangerous way.

6 HANDLING AND STORING

While handling the AEROLADDER 130, make sure to firmly grasp the side rail. Store it a place sheltered from sunlight, extreme heat, and the environment, to maximize equipment service life. It may be stored in the luggage compartment of the helicopter or in the hangar, as long as it doesn't obstruct movement within the hangar space and remains visible to avoid collision or tripping.

Keeping the equipment clean, in addition to making it more beautiful, is very important for your safety. Dirt and dust can hide abnormalities that could potentially cause failure. During cleaning, it is necessary to check for the presence of cracks, gaps, deformations, noise, misalignment and any other wear or irregular characteristics.

7 PROHIBITIONS

- **NEVER** use the ladder for embarking or disembarking without ensuring that the ladder is fully attached to the footstep, and that both sides of the side rail are fully in contact with the ground.
- **DO NOT** use the ladder if it is poorly supported.
- **DO NOT** submit the ladder to a load above the approved supported weight.
- **DO NOT** leave objects on the treads, as they might obstruct the safe movement of passengers.
- **DO NOT** allow the unassisted embark or disembark of passengers carrying baby/small child, of passengers with reduced mobility, or in any other situation aid is required for safe operation.

Written by Date: MATEUS FREITAS 27/MAY/2025	Approved by Date: PHIL XAVIER 27/MAY/2025
Updated by Date:	Approved by Date:

- **DO NOT** allow children to use the ladder to embark or disembark the aircraft without adult assistance.
- **DO NOT** use the ladder for embark and disembark of more than 1 (one) passenger at a time.
- **DO NOT** use the ladder for embarking or disembarking on any other aircraft except for the appropriate model.
- **DO NOT** jump on the ladder.
- **DO NOT** step on the ladder inflicting lateral motion relative to the side rails, as the ladder could slip along the footstep (skid).
- **DO NOT** step on the ladder if it is not correctly and firmly attached to the aircraft.
- **DO NOT** leave the ladder attached to the aircraft while it is not in use, while taking off, or while other aircrafts are landing/taking off near it.
- **DO NOT** use the ladder for any other function except for boarding or disembarking on the approved aircraft model.
- **DO NOT** use the ladder if any part or component is missing.
- **DO NOT** use the ladder if any damage to its structure is observed.
- **DO NOT** use the ladder if any of the anti-slip/grip tape is unglued or missing.
- **DO NOT** store the ladder in places subject to direct sunlight, rain, water, or the environment.

8 RESIDUAL RISKS

During the risk assessment procedure, the following residual risk(s) were identified:

- The **misuse** of submitting the ladder to a **loading** larger than the **maximum load capacity** is dangerous and can lead to structural failure of the equipment and falling.
- The **misuse** of leaving **objects** or **obstructions** on the **treads** is dangerous and can cause slipping and tripping.
- Loss of balance in the case of **unassisted** embark or disembark of passengers carrying baby/small child, with reduced mobility, or with a history of labyrinthitis, vertigo, similar health condition, which is **prohibited** in this manual.

Written by Date: MATEUS FREITAS 27/MAY/2025	Approved by Date: PHIL XAVIER 27/MAY/2025
Updated by Date:	Approved by Date:

By following the instructions provided in this user manual, as well as the other included documentation, the safe operation of the machine can be ensured, as these documents address all relevant risks associated with the equipment.

9 PRODUCT DOCUMENTS

9.1 FLIGHT MANUAL SUPPLEMENT (FMS)

The Flight Manual Supplement (FMS), sent printed with the equipment and available for digital consultation, should be inserted into the flight manual (POH), in the SUPPLEMENTS section, for quick access of basic information relating to this equipment. To access the updated version of the Flight Manual Supplement (FMS), go to: www.aeromob-industry.com/support-am-ldr-130-k01 or just scan the QR CODE available in this Manual.

9.2 USER MANUAL

This document is the User Manual. It is mandatory reading before operating the AEROLADDER 130 K01. To access the updated version of the User Manual, go to: www.aeromob-industry.com/support-am-ldr-130-k01 or just scan the QR CODE available in this Manual.

9.3 MAINTENANCE PROCEDURES

The overhaul plan and any necessary maintenance procedures must be carried out in accordance with the maintenance manual, document part number MM-AM-LDR-130-K01. To access the updated version of the Maintenance Manual, go to: www.aeromob-industry.com/support-am-ldr-130-k01 or just scan the QR CODE available in this Manual.

9.4 SPARE PARTS

The Illustrated Parts Catalog - IPC is the official reference document for ordering spare parts, part number IPC-AM-LDR-130-K01. To access the updated version of the Illustrated Parts Catalog, go to: www.aeromob-industry.com/support-am-ldr-130-k01 or just scan the QR CODE available in this Manual.

9.5 WARRANTY

Your equipment has a 1-year warranty and, if necessary, can be requested directly from AEROMOB via the link: www.aeromob-industry.com/support-am-ldr-130-k01 or by scanning the QR CODE available in this Manual.

Written by Date: MATEUS FREITAS 27/MAY/2025	Approved by Date: PHIL XAVIER 27/MAY/2025
Updated by Date:	Approved by Date:

9.6 SUPPORT

If you have any questions about how to use the equipment, please contact our support team. Do not use the equipment if you have any doubts about its operation. If you notice any faults with the equipment, if components are missing, or in any other case where support is required, please contact us via the website, which can be accessed via the link: www.aeromob-industry.com/support-am-ldr-130-k01 or by scanning the QR CODE available in this Manual.

INTENTIONALLY LEFT BLANK

Written by Date: MATEUS FREITAS 27/MAY/2025	Approved by Date: PHIL XAVIER 27/MAY/2025
Updated by Date:	Approved by Date:

10 ACCESS TO ALL UPDATED DOCUMENTATION

Below is a list of files and documents available to the customer of this equipment and the QR CODE for access to the always up-to-date version:

(PN FMS-AM-LDR-130-K01) SUPPLEMENT TO THE FLIGHT MANUAL

(PN UM-AM-LDR-130-K01) USER MANUAL

(PN MM-AM-LDR-130-K01) MAINTENANCE MANUAL

(PN IPC-AM-LDR-130-K01) ILLUSTRATED PARTS CATALOG



www.aeromob-industry.com/support-am-ldr-130-k01

Written by Date: MATEUS FREITAS 27/MAY/2025	Approved by Date: PHIL XAVIER 27/MAY/2025
Updated by Date:	Approved by Date: