

# AEROMOB

## ILLUSTRATED PARTS CATALOGUE



EQUIPMENT NAME: AEROLADDER 145  
PART NUMBER: AM-LDR-145-K01

# AEROMOB

## ILLUSTRATED PARTS CATALOGUE



Aeromob Aeronautical Equipment Ltda

CNPJ: 40.061.679/0001-43

Address: Carlos Willy Boehm 990 Street - Costa e Silva

Postcode: 89218-325 / Joinville - SC

Phone: +55 (47) 4101-2724 | 9 9937-9077

Site: [www.aeromobusa.com](http://www.aeromobusa.com)

Contact Aeromob for more information on  
parts and products.

# INTRODUCTION

The Illustrated Parts Catalog (IPC) must be used to identify parts and component replacement request. The IPC should never be used as a component removal, installation and maintenance procedure. This catalog is used in conjunction with the Equipment Maintenance Manual (MM). The structure of chapters and details used in this IPC follow the applicable standards as Air Transport Association (ATA) SPEC 100 and iSPEC 2200.

The catalog features:

1. A list of chapters;
2. An isometric view of the equipment with emphasis on the set shown in the chapter;
3. An exploded view of each equipment set and its respective list of components;
4. The numbering of the pages is composed initially by the number of the chapter and followed by chapter page number.

## PART DESIGNATION

AEROMOB parts are designated using the following code:

**AM-HDM-135-S01**

such that,

**AM:** AEROMOB

**HDM:** Represents the family of equipment

**135:** the equipment model

**S01:** represents the part-specific code.

On standard components purchased from third parties such as screws bearings, etc., the codes are varied, according to the necessary specification in each item. In some cases, manufacturers codes are also used.

AEROMOB special tools are designated with an "FM" prefix keeping then the identification code of the equipment to which it is applied.

**AEROMOB**

# INTRODUCTION

## PARTS AVAILABILITY

"YES" indicates the part is available as a separate replacement item.

"NO" indicates that the part is no longer available or is only available as part of a set.

## ABBREVIATIONS

BICROM - Bichromated

CL - Class

DISP - Parts availability

SS - Stainless steel

HS - Hexagon socket

WS - Worm shaft

TS - Top Shaft

## GUARANTEE

AEROMOB applies the standard 1-year warranty on parts and components purchased from AEROMOB or an authorized dealer.

## RETURNS

No unused parts may be returned to AEROMOB for credit if the parts show any indication of wear or damage, or if the cost of the individual part is less than \$25 (US). Parts returned within 30 days of purchase will be valued at a 20% restocking fee. no part may be returned after 30 days without AEROMOB's prior approval. Any parts approved for return after 30 days will be evaluated at a fee 50% restocking fee.

**AEROMOB**

# INTRODUCTION

This document is copyrighted. The total or partial copy of the text, images or tables without the authorization of AEROMOB is expressly prohibited, subjecting the violator to the appropriate civil and criminal penalties.

**AEROMOB**

# REVISION

Revision Number	Date
01	11/22/2023

To access the updated version of this document, point your device at the QR CODE below.



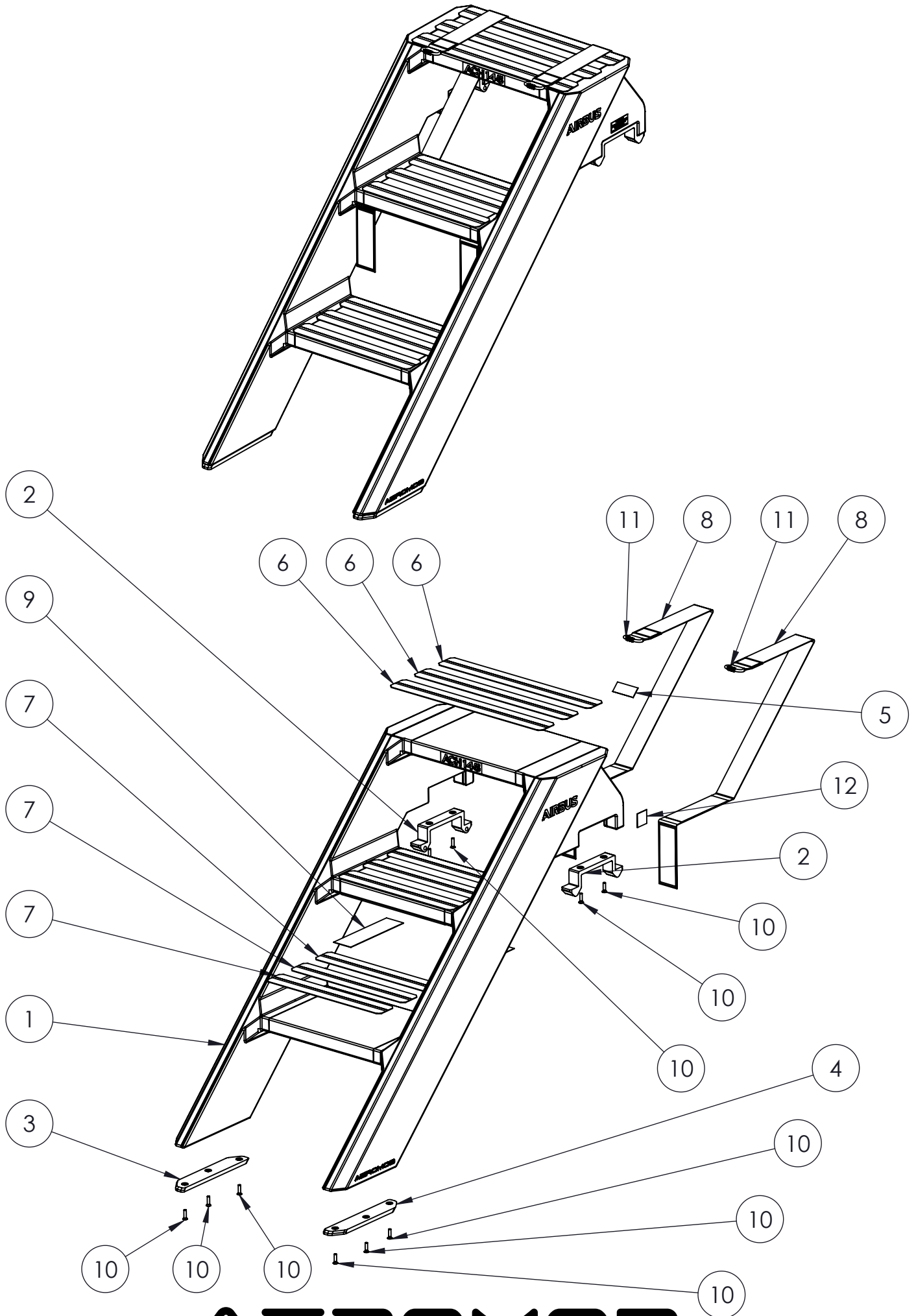
[www.aeromob.com.br/support-am-ldr-145-k01](http://www.aeromob.com.br/support-am-ldr-145-k01)

**AEROMOB**

# SUMMARY

CHAPTER 1 - LADDER .....	1-1
COMPONENTS LIST .....	1-2

# CHAPTER 1 - LADDER



**AEROMOB**

POS	PN ATIVO	DESCRIPTION	QTY IN THIS DRAWING	QTY EQUIPMENT	OLD PN	APPLICABLE TO SN	AVAIL
1	AEROLADDER145_M02	AEROLADDER 145	1	1	---	ALL	---
2	AEROLADDER145_09	SUPPORT SHOE	2	2	---	ALL	---
3	AEROLADDER145_10	SHOE	1	1	---	ALL	---
4	AEROLADDER145_11	SHOE	1	1	---	ALL	---
5	AM-LDR-145-018	IDENTIFICATION PLATE	1	1	---	ALL	---
6	AM-LDR-145-019	NON-SLIP TAPE	3	3	---	ALL	---
7	AEROLADDER145_20	NON-SLIP TAPE	6	6	---	ALL	---
8	AEROLADDER145_22	FIXATION BELT	2	2	---	ALL	---
9	AEROLADDER145_23	VELVET TAPE	2	2	---	ALL	---
10	DIN 7991 - M5 X 20	ALLEN SCREW FLAT HEAD M5X20	10	10	---	ALL	---
11	MOSQ-50X40	METAL RING WITH LOCK	2	2	---	ALL	---
12	AM-LDR-145-027	QR CODE	1	1	---	ALL	---